



# HAMGAB

Published Since 1936

February 2009

ESTABLISHED IN 1933  
**HAMFESTERS**  
*Celebrating 75 years of Service to Chicagoland's Amateurs*  
Come Visit on the World Wide Web at: [www.hamfesters.org](http://www.hamfesters.org)

## White Elephant Sale.



*Fill your trunks  
with goodies for the  
Hamfesters annual  
white elephant sale  
at our February 2006  
meeting.*

### Give Us Your Email Address

At the last meeting everyone, accept one raised their hand when asked if they had an email address and wanted to get notified when the new color newsletter was on-line.

To be added to our mailing list, please send an email to [AB9MZ@ARRL.NET](mailto:AB9MZ@ARRL.NET).

### Class "D" Amplifiers

Mike WA9ZPM delivered a very informative presentation on Class "D" amplifiers at our January meeting. See more pictures and learn more about use and value on the inside.

Class D amplifiers are much more efficient than Class AB power amplifiers. As such, Class D amplifiers don't require large transformers and massive heat-sinks, which means that they are smaller and lighter in weight than an equivalent Class AB amplifier.

Continued on page 5.

**Hamfesters Meetings** are held on the 1st Friday of every month at the Crestwood Civic Center, 14025 Kostner in Crestwood, IL. at 7:30 PM. Next meeting Friday February 6th, 2009.

**VE TESTING** every 2nd Saturday of the Month at Oak Forest High School, 151st & Central AV in Oak Forest. Testing begins at 9:00 AM. Exam fee for 2008 is \$15.00. Next test: Saturday February 14th, 2009.

### 2009 Membership Rosters

Hamfesters: your 2009 membership rosters are now available.

Be sure to pick up your 2009 membership roster at the next meeting (Friday, February. 6th, 2009).

If you live out of town, Bob and Dot Truhlar will mail you a copy. Contact them for your copy..





# W9AA



HAMFESTERS Heard Around the World

### OFFICERS

President	Bob N9JYX .....(708) 496-1375
Vice Pres.	Don KC9EQQ .....(773) 426-1936
Secretary	Pat KC9LYE .....(708) 424-2468
Treasurer	Ed WA9EOL .....(708) 687-3352
Sergeant At Arms	Rich N9UNQ .....(773) 239-0847
Trustee	Bruno K9QKB .....(708) 430-2024

### BOARD OF DIRECTORS

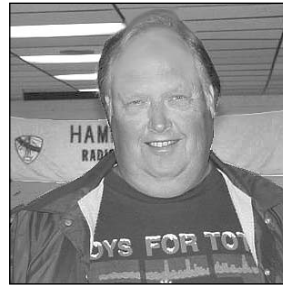
Al N9ZD	(708) 535-2981
Jim KB9CYL	(708) 301-1863
John WB9JTS	(708) 430-0286
Kerry AA9SB	(708) 335-4574
Larry KG9L	(773) 768-0960
Mike W9MCS	(708) 423-9049

### COMMITTEES

Awards	Matt KC9JXC .....(708) 226-1599
Circulation	Ruth Maloney .....(773)445-0728
Club QSL Mgr	Bob W9LNQ .....(773) 238-0544
Contest	(currently unfilled)
Education	Brian W9HLQ .....(708) 532-5833
Equipment	Jim KB9CYL .....(708) 301-1863
Field Day	Jim KB9CYL .....(708) 301-1863
Hamfest	Kerry AA9SB .....(708) 335-4574
Hamgab Editor	Gregg AB9MZ .....(708) 267-6664
Historian	Jim KB9CYL .....(708) 301-1863
Mail Labels	Brian W9HLQ .....(708) 532-5833
Membership	Brian W9HLQ .....(708) 532-5833
Packet	Bruno K9QKB .....(708) 430-2024
Programs	Don KC9EQQ .....(773) 426-1936
Publicity	Kerry AA9SB .....(708) 335-4574
Raffles	??
Refreshments	Don KC9EQQ .....(773) 426-1936
SMART	Bob K9MUY .....(708) 687-1121
SMART	Al N9ZD .....(708) 535-2981
VE Testing	Tim AA9BV .....(708) 687-5057
Webmaster	Brian W9HLQ .....(708) 532-5833

# Behind the Gavel

By Bob Koran N9JYX — President



Burrrrrrrr It's Cold! Hello everybody, As I am writing this, the temp is about -10 degrees. And it's supposed to get even colder. So I hope everyone is staying safe and warm. And if you have to go out please take the time to dress for the frigid temp.

Well January is half over, and were well into the new year. The holidays are over. So what do we do now? Get ready for the WHITE ELEPHANT SALE, that's what. Yes it's time to get out those treasures that are cluttering up the shack, dust them off and bring them down to the sale. I know it's lots of fun to peruse all those treasures at the sale maybe finding something you need or want. But it's also fun to get rid of something you don't want or need, to the enjoyment of the person who just has to have it. I know I have found a few things in the past that I needed to compliment my setup.

I've also found a couple of white(I mean PINK elephants). So I hope everyone will come out and have a lot of FUN, and some coffee and donuts too. Remember the more the merrier. Also let's hope the weather is a little more cooperative than it is at this time. So in closing, I hope everyone stays safe and warm, because we want to see you all at the next meeting.

73's for now.

And to quote Bob W9TOE, DAH-DIH-DAH

Bob N9JYX

# Birthdays

The following Hamfesters members will be celebrating their birthday in February. Make sure you wish them a happy birthday on the air or at the meeting.

KA9AGY Charles, W9AVB Bob, KA9BUM John, K9KBU Joe, KB8MDJ Todd, KA9URG Clarence, K9QKB Bruno, KA9EXP Rudy, WK9ARF Sy, N9FTU Ron, W9TOE Bob, KB9VRL Joe, KA9GUC James, W9WHO Russell, KN9M Zig, KC9CXT Ben, KC9DVV Bob, KA9FG Bill.

## Hamfesters Club Meeting Jan. 2, 2009



The meeting began at 7:30 PM.

**Officers:** Bob N9JYX, Don KC9EQQ, Joe KA9KBU, Ed WA9EOL, Patti KC9LYE.

**Roll Call:** There were 51 members, one new member KA9DS, one visitor Denny W7SNH, he's from Seattle, WA. He was a member of Hamfesters in the 1960's.

**Health & Welfare:** Leon will be out of the nursing home on Jan. 15 th. Feel Better soon Leon!

Mike WA9ZPM, gave a program tonight on Class D Amplifiers. Thanks, Mike!

Next months program will be our annual White Elephant Sale. I hope to find a pink one.

Don KC9EQQ, is our new Program Chairmen. Bob KB9YXH, is our new Raffle Prize Chairmen. Thanks Guys!

Hamgab Minutes approved by Paul WD9GEH, seconded by Ray W9CEJ.

**Treasurer's Report:** by Joe KA9KBU, Ed WA9EOL, will take over this position in Feb. Report approved by Terry

**Secretary's Report:** by Patti KC9LYE, I called Mr Chuck Schaden on Dec. 6th to thank him for speaking to our club the night before at our 75th Anniversary Party.

The 75th Anniversary coffee mugs were available to those members who weren't at the Dec. 5th party.

Don KC9EQQ, thanked all who attended the Dec. 5th event.

A special thanks to; Gregg AB9MZ, who acquired our Raffle Prize, an ICOM Radio. The radio was won by Ed WA9EOL.

Also to, Nora KC9MLV, did a beautiful job decorating the tables and the banquet room at Mama Luigi's.

And especially to, Kurt WB9FMC, who as Special Committee Chairmen made all the arrangements for a wonderful evening. Thanks!

At the banquet Don KC9EQQ, & Nora KC9MLV, were SURPRISED to learn from their friend Chuck Schaden that he was retired from public speaking. He was speaking at our banquet, out of friendship. Thank You Mr Schaden!

**Publicity & Hamfest Chairmen:** Kerry AA9SB, Publicity for our 75th Anniversary Banquet, and tonight's meeting were sent to the: Beverly Review, Southtown News Herald, and the Southtown-Star.

Please save copies of these articles and give them to Kerry. 2009 New Year's greetings are being sent to vendors from our 2008 hamfest inviting them back on Aug. 9, 2009.

At our Feb. club meeting Hamfesters Hamfest tickets & fliers will be available. This year is our 75th Anniversary hamfest.

**Field Day Chairmen:** Jim KB9CYL, Reserve June 27th & 28th 2009 on your calendars for Field Day this year..

**Hamgab Chairmen:** Gregg AB9MZ, The January. issue of Hamgab is available on-line in full color at Hamfesters.org. You can print copies of the current and a few back issues. We are going to scan in copies of all back issues we can locate.

Members will be able in the future to receive their monthly Hamgab by email, this would save the club money.

Club members who don't own a computer can get an email address for free, contact Gregg AB9MZ. An email address can be accessed on any computer, such as the library.

Thank You, to Rita KC9CDL, for her article on ARISS in this month's Hamgab. Everyone please think about writing an article for the Hamgab.

Bob N9JYX, told us that our club now owns publishing software that Gregg AB9MZ, bought at a student discount price of \$600.00.

**Education:** Gregg AB9MZ, and Brian W9HLQ, reminded us that a 10 week Amateur Extra class will begin on Jan.22nd. Contact Gregg AB9MZ, or Brian W9HLQ, for details.

**Matt KC9JXC, Awards Chairmen:** Presented members with Hamfesters Award Certificates for 2008.

Don KC9EQQ, will be taking portrait photo's of all Hamfesters officers, board members, & committee chairmen at the Board Meeting on Jan. 26th.

This meeting ended at 9:15PM approved by Ed WA9EOL, seconded by Kate KB9KDC.

Bob N9JYX, wishing everyone a safe and warm New Year.

**Door Prizes:** The Door Prize tonight were two pairs of triple stub tickets to the Mid-Winter Wheaton Hamfest. The tickets were won by: Dave N9NF, and John WB9JTS.

Tonight's Raffle was for members who worked in ticket sales, security, Hamfesters information booth, and setup at the Hamfesters 2008 hamfest.

First Prize in ticket sales went to Larry KG9L. Prizes were awarded to those present by our new Prize Chairmen Bob KB9YXH.



## HAMFESTERS VE TESTING

By Tim Pechtold AA9BV  
VE Team Chairmen

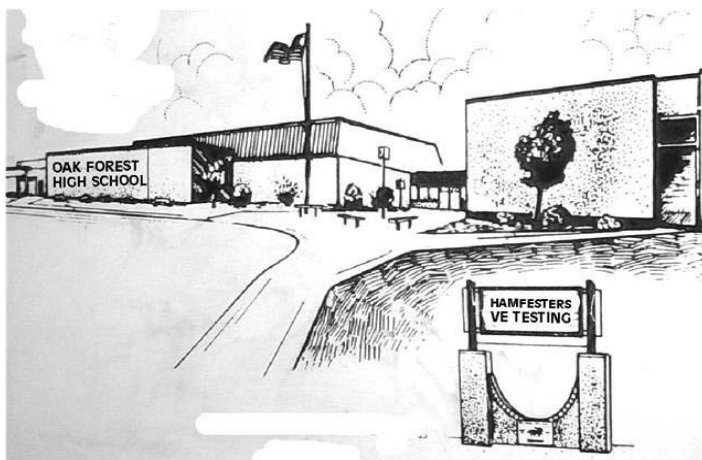
We didn't have the best weather on the morning of our January 10th VE test session. Cold temps and snow made the streets slippery. But that didn't stop Ed KC9OVT from coming in and passing his General exam. Congratulations Ed! Ed was our only candidate.

I want to thank the members from our VE Team for coming out to help. Serving at this session were: Al N9ZD, Jim KC9MUZ, Gene KB9RNM, and myself. Once again, thanks for volunteering your time on Saturday morning and for doing the fine job that each of you do every month!

Hamfesters VE Test sessions are held every month on the 2nd Saturday at the Oak Forest High School located at 151st & Central ave in Oak Forest, IL. We begin testing at 9:00 but ask that you get there 10 - 15 minutes early. Come in through the main entrance and go to your right. We are usually located in one of the first classrooms by the entrance.

Please remember to bring the following items to the test session: your picture ID, the original and a copy of your Amateur Radio License (if licensed), a pen, pencil, and calculator if you would like to use one. You also need your FRN (Federal Registration Number) if one has been issued to you, or your Social Security Number if you don't have an FRN.

The test fee for 2009 has gone up \$1.00 and will now be \$15.00 (cash only - no credit cards or checks).



If you have any questions regarding our tet session or about upgrading, please contact me at: (708) 687-5057 or e mail me at: aa9bv@amsat.org. be sure to list "VE TESTING" in the subject line of your email.

73 and good luck! Tim AA9BV

## Club Shorts

### Hamfest Ticket Sales

By Jim Riley KB9CYL

If you're coming to the white elephant sale be sure to see me and get some advance double-stub Hamfest tickets to sell. This year's color will be gold in honor of our 75th Hamfest. While I prefer to pass out tickets in groups of ten, please feel free to take as few or as many as you need. Every advance ticket sold protects the club against some misfortune on Hamfest day like bad weather, rising fuel prices, a bad economy or a plague of locusts. I'll have plenty of tickets with me and would like to see as many as possible out in circulation.

### CQ Field Day

By Jim Riley KB9CYL

Usually when I write my first Field Day article of the year I make note of how much snow is on the ground. This year I have no idea. My best guess is that there's a lot. What I know for sure as I write this is the temperature is expected to go below zero and the wind is expected to increase to blizzard speed and blow the snow around so no one has a clue as to how much is on the ground. Given those conditions, can I think about Field Day? Yes I can.

Field Day is Saturday 27 June 2009 through Sunday 28 June. I have sent the required paperwork to the Student Life Coordinator at Moraine Valley Community College requesting our usual spot at 110th and 86th Ave. and will keep you posted.

The purpose of this article is to remind you that the snow will melt, the sun will come out, it will warm up again and Field Day will be here before you know it. Circle the date and plan to have the usual great time. See me at the meeting if you have any questions, ideas or just want to know if I'd be interested in a 40-foot air-conditioned motor home as an operating position.

# Get Your Anniversary Mugs

By Jim Riley KB9CYL

For those of you weren't at the Christmas Party or the last meeting, we handed out some really nice cobalt blue 15-oz mugs to commemorate our 75th anniversary. I will be bringing them to the February meeting for those who have yet to pick them up. If you won't be at the meeting or just can't wait that long, I have them at my store and you can pick them up any time. I'm located at Riley's Trick Shop, 6442 W. 111th St. in Worth. You can call me there at 708-448-0075.

(Class D Amplifiers continued from page 1)

Class D amplifiers are much more efficient than Class AB power amplifiers. As such, Class D amplifiers do not need large transformers and heavy heat-sinks, which means that they are smaller and lighter in weight than an equivalent Class AB amplifier.

All power devices in a Class D amplifier are operated in on/off mode. Output stages such as those used in pulse generators are examples of class D amplifiers. The term usually applies to devices intended to reproduce signals with a bandwidth well below their switching frequency..

These amplifiers use pulse width modulation, pulse density modulation (sometimes referred to as pulse frequency modulation).

The input signal is converted to a sequence of pulses whose averaged value is directly proportional to the instantaneous amplitude of the signal.

The frequency of the pulses is typically ten or more times the highest frequency of interest in the input signal. The output of such an amplifier contains unwanted spectral components (that is, the pulse frequency and its harmonics) which must be removed by a passive filter. The resulting filtered signal is then an amplified replica of the input.

The main advantage of a class D amplifier is power efficiency. Because the output pulses have a fixed amplitude, the switching elements (usually MOSFETs, but valves and bipolar transistors were once used) are switched either on or off, rather than operated in linear mode.

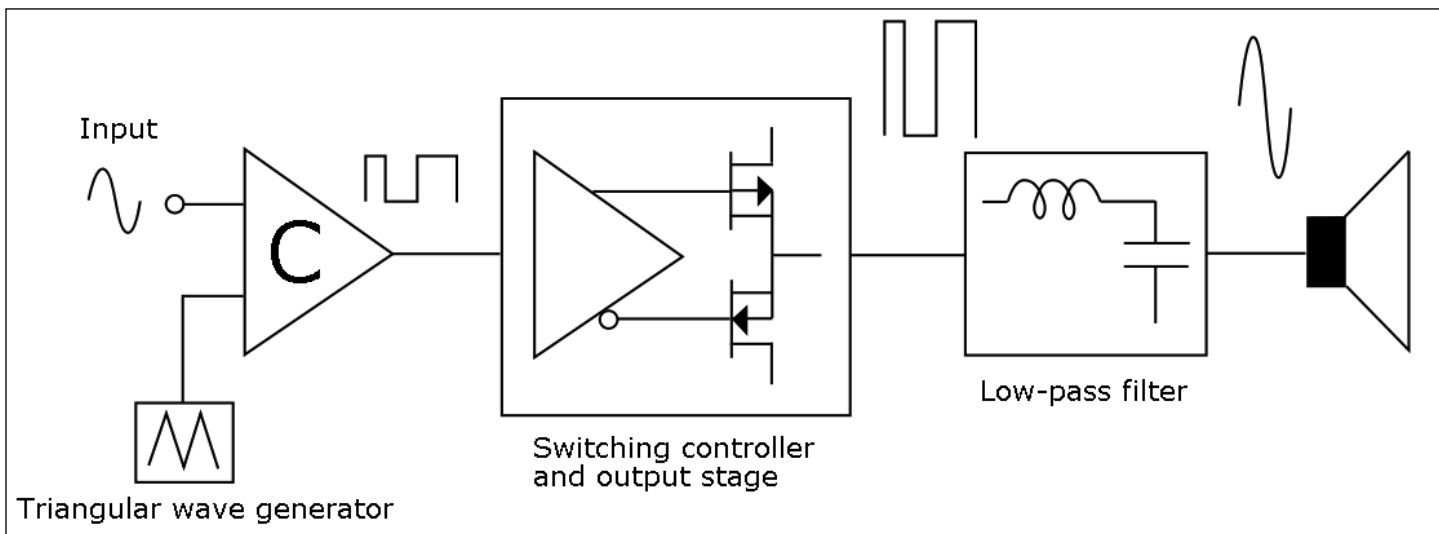
This means that very little power is dissipated by the transistors, except during the very short interval between the on and off states. The wasted power is low because the instantaneous power dissipated in the transistor is the product of voltage and current, and one or the other is almost always close to zero. The lower losses permit the use of a smaller heat sink while the power supply requirements are lessened too.

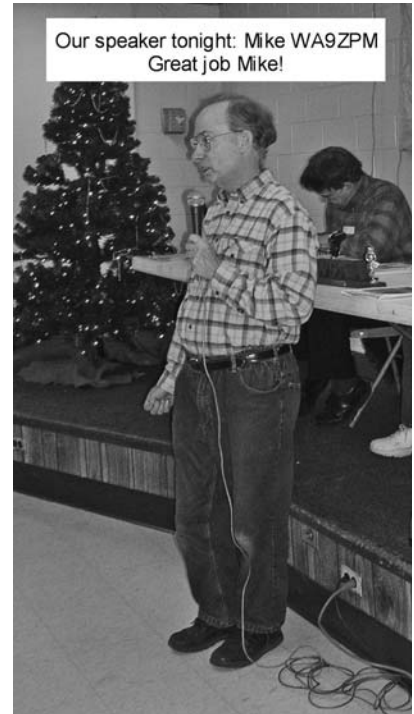
Class D amplifiers can be controlled by either analog or digital circuits.

Class D amplifiers have been widely used to control motors, and almost exclusively for small DC motors, but they are now also used as audio amplifiers, with some extra circuitry to allow analogue to be converted to a much higher frequency pulse width modulated signal.

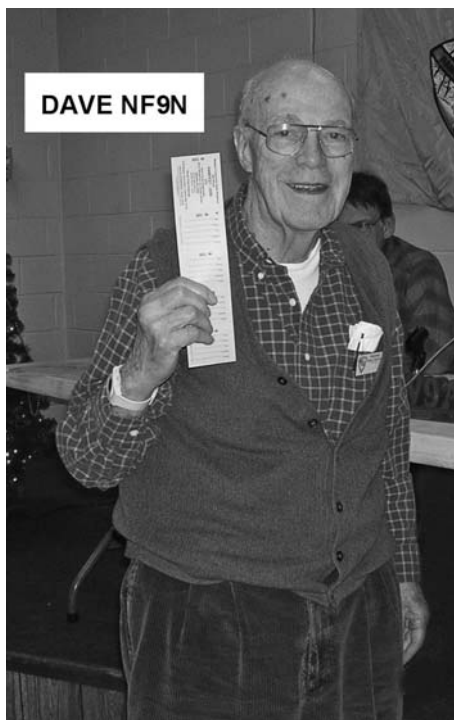
The relative difficulty of achieving good audio quality means that nearly all are used in applications where quality is not a factor, such as modestly-priced bookshelf audio systems and "DVD-receivers" in mid-price home theater systems.

This content taken in part from Wikipedia





Our speaker tonight: Mike WA9ZPM  
Great job Mike!



DAVE NF9N



Bob KB9YXH



PAUL WD9GEH

MATT KC9JXC



WINDOW SHOPPING!

# Photographs by Don KC9EQQ



STEVE W9KXT



DON KC9EQQ



PAT, (OUR SECRETARY),  
KC9LYE

## New Members

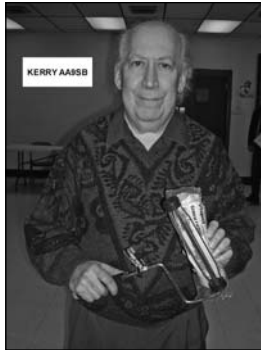
By Brian Davis W9HLQ

Daniel Aurenz AA9DA  
9006 W. 123rd St.,  
Palos Park, IL 60464  
Birthday October, 22nd 1952  
Phone: 708-972-0412



## Hamfest Update

This year, 2009, will be our 75th Annual Hamfest! Saturday, August 8th will be the set-up date for the August 9th festivities at the Will County Fairground. Last year, we were blessed with beautiful weather -- perfect weather. This year, we hope and pray for good weather and high energy.



Of course we also hope to get even greater involvement from the vendors so we can fill both rooms in the exhibition hall. Last year found the north room filled buzzing with people, although the south room remained about half filled. The goal, this year, will be to fill both rooms.

Last year, the vendor list was also expanded into a database of 55 vendors, and we acquired two new vendors both of whom will return next year. Vendors are already in the process of being contacted.

Jim, KB9CYL, has made arrangements with the printer for a special 75th anniversary flyers and tickets which should be ready for our February meeting.

Be sure to take some flyers with you if you're going to be attending upcoming hamfests.

Since the hamfest is a team effort, we're hoping that everyone will get involved in one way or another. A committee meeting will be organized and announced soon. I'll have more details at the next general meeting. Thanks.

73'

Kerry Nelson AA9SB, Hamfest chair

[kw\\_nelson@earthlink.net](mailto:kw_nelson@earthlink.net)

# The Final Word

By Gregg Rosenberg  
AB9MZ



## Making the Time

It seems like the older you are the faster time goes by. It feels like yesterday was New Year's Eve and now almost the entire month of January is gone. There never is enough time in a day, let alone one's lifetime to even begin to explore all aspects of our great hobby. We are all so busy and never seem to have the time to do this or do that, to make time for a friend at times, or to share our hobby with a the next generation.

So what is the answer to this dilemma. Its called making time. It may mean we sleep an hour less, give up an hour of TV, or taking a shorter shower or bath. Think of the smile you will put on a young girl's or boy's face as they learn and once they get their first ticket. Our hobby will prevail only if we pass it along to the next generation. So I charge each and every one of us with the responsibility of taking an hour a week to promote our hobby to y.

## Extra License Class

This Thursday, January 22nd is the big day. The start of our Amateur Radio Extra License Class. Brian Davis (W9HLQ) and Neal Nichols (WA9FTU) will certainly have their hands full if all 23 students that signed up for the class and pre-paid show up. Twenty of which already have their books. I am bringing five more books to the first class to catch any overflow.

## Old Timers

So who is the oldest member of Hamfesters still alive? Who has been a member of the league the longest? Tom Harvey WB9CZR exclaims, "Several weeks ago, I was quite surprised when I received in the mail, a certificate from ARRL commenorating my 40th year of membership. I didn't know they kept track of such things!"

# Hamfesters Radio Club

## Meetings and VE Testing

Club Meetings are held on the first Friday of every month at the Crestwood Civic Center, 14025 Kostner Ave. in Crestwood, IL. Meetings begin at 7:30 PM. Bob N9JYX President

Board Meetings: 7:30 PM on the 4th Monday of each month at the Oremus Center, 7902 Oketo, Bridgeview, IL

VE TESTING: Every 2nd Saturday at the Oak Forest High School, 151st & Central Ave. Oak Forest, IL. Testing begins at 9:00 AM but we ask that you arrive 10 minutes early. Exam fee for 2008 is \$15.00. Tim AA9BV VE Team Chairmen

## Special Activities

Hamfesters BIG Peotone Hamfest: Our 74th annual Hamfest coming August 2009 – Will County Fairgrounds, Peotone, IL. Kerry AA9SB Hamfest Chairmen

FIELD DAY: Join the W9AA crew for one of the best Field Days Coming in June 2009 at Moraine Valley College, 111th & 86th Ave. Jim KB9CYL Field Day Chairmen

WAHM: Worked All Hamfester Members—work 10 current members for a beautiful award certificate. Matt KC9JXC Awards

## NETS / Contact Info

10 METER NET: Every Sunday Evening at 8:00 PM on 28.410. Bob W9TOE is Net Control

2 METER NET: Every Monday Evening at 9:00 PM on 146.430. Joe KA9KBU is Net Control

W9AA Mailbox: 145.650  
24 hours a day. Bruno K9QKB is Sysop.  
ILOAK: Node on 145.650

WEB SITE: [www.hamfesters.org](http://www.hamfesters.org)  
Brian W9HLQ is Webmaster

Club's address:  
Hamfesters Radio Club  
P.O. BOX 102 BEDFORD PARK, IL 60499 Pat  
KC9LYE Secretary

*Deadline for submitting material to HAMGAB is the fifteenth of the month.*



### HAMGAB EDITOR

Gregory D. Rosenberg AB9MZ  
8018 Mallow Drive  
Tinley Park IL 60477-2697  
USA  
(708) 267-6664 Cell  
AB9MZ@ARRL.NET

## White Elephant Sale



Fill your trunks with goodies for the Hamfesters annual white elephant sale at our February 2006 meeting.

**FIRST CLASS MAIL**